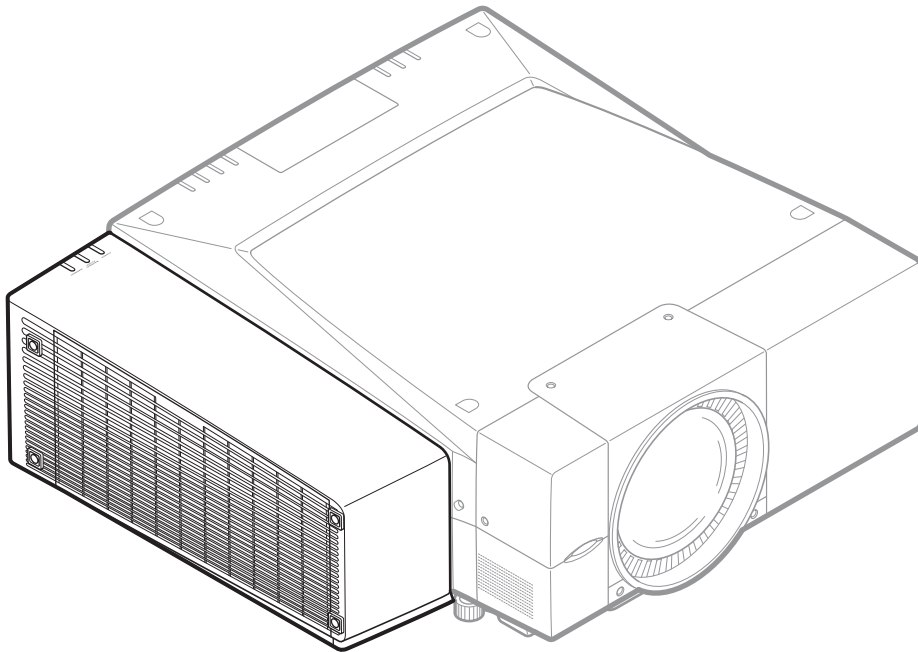




# Smoke Resistant Box





MODEL **POA-SR-140**



**Owner's Manual**

## TO THE OWNER

Before operating this Projector, read this manual thoroughly and operate the projector properly.

	<b>CAUTION</b> <b>RISK OF ELECTRIC SHOCK</b> <b>DO NOT OPEN</b>	
<b>CAUTION : TO REDUCE THE RISK OF ELECTRIC SHOCK, DO NOT REMOVE COVER (OR BACK). NO USER-SERVICEABLE PARTS INSIDE EXCEPT FILTER REPLACEMENT. REFER SERVICING TO QUALIFIED SERVICE PERSONNEL.</b>		
 THIS SYMBOL INDICATES THAT DANGEROUS VOLTAGE CONSTITUTING A RISK OF ELECTRIC SHOCK IS PRESENT WITHIN THIS UNIT.	 THIS SYMBOL INDICATES THAT THERE ARE IMPORTANT OPERATING AND MAINTENANCE INSTRUCTIONS IN THE OWNER'S MANUAL WITH THIS UNIT.	



**WARNING :** TO REDUCE THE RISK OF FIRE OR ELECTRIC SHOCK, DO NOT EXPOSE THIS APPLIANCE TO RAIN OR MOISTURE.

Provide appropriate space on the top, sides and rear of the Projector and Smoke Resistant Box for allowing air circulation and cooling the Projector. Minimum clearance must be maintained. If the Projector is to be built into a compartment or similarly enclosed, the minimum distances must be maintained. Do not cover the ventilation slot on the Projector and Smoke Resistant Box. Heat buildup can reduce the service life of your projector and Smoke Resistant Box, and can also be dangerous.

**READ AND KEEP THIS OWNER'S MANUAL FOR LATER USE.**

### Federal Communication Commission Notice

This equipment has been tested and found to comply with the limits for a Class A digital device, pursuant to Part 15 of FCC Rules. These limits are designed to provide reasonable protection against harmful interference when the equipment is operated in a commercial environment. This equipment generates, uses, and can radiate radio frequency energy and, if not installed and used in accordance with the instruction manual, may cause harmful interference to radio communications. Operation of this equipment in a residential area is likely to cause harmful interference in which case the user will be required to correct the interference at his own expense.

Do not make any changes or modifications to the equipment unless otherwise specified in the instructions. If such changes or modifications should be made, you could be required to stop operation of the equipment.

### CAUTION

This is a Class A equipment. This equipment can cause interference in residential areas; in this case, the operator can be asked to take adequate countermeasures.



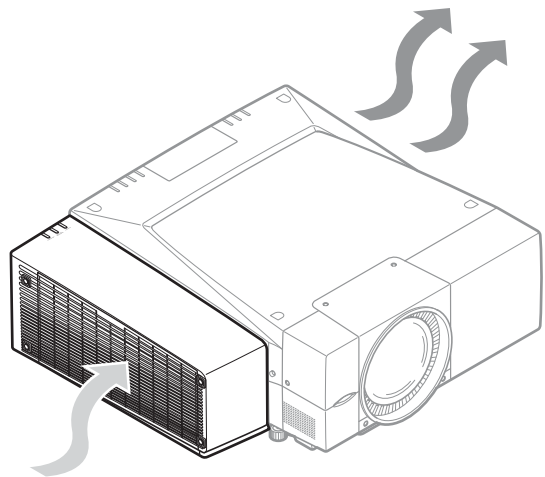
The CE Mark is a Directive conformity mark of the European Community (EC).

## TABLE OF CONTENTS

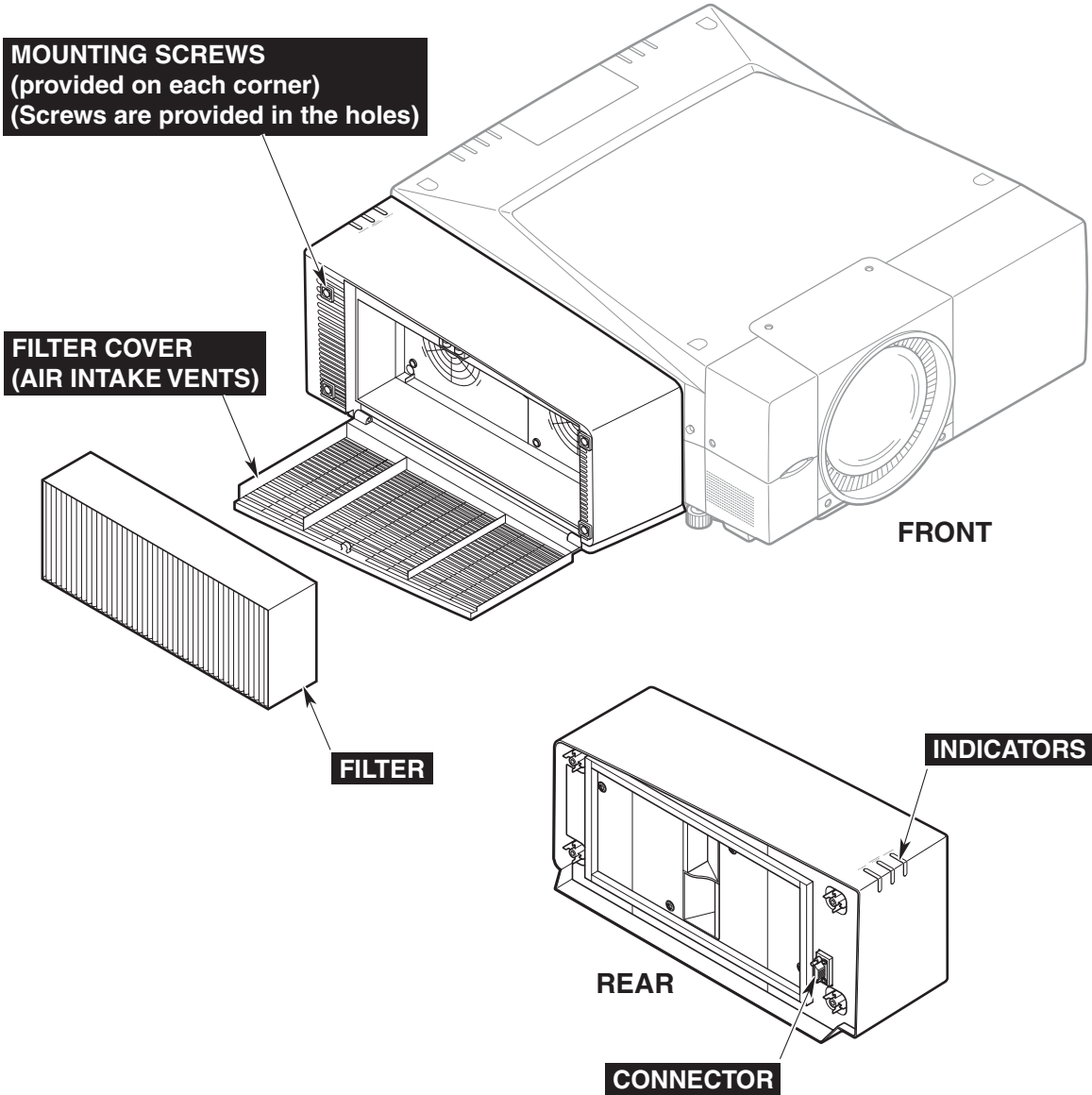
<b>FEATURES</b> .....	<b>3</b>
<b>PART NAMES</b> .....	<b>4</b>
<b>INSTALLATION</b> .....	<b>5</b>
<b>OPERATION</b> .....	<b>7</b>
FILTER REPLACEMENT .....	8
FILTER TIME CHECK AND RESET .....	10
<b>APPENDIX</b> .....	<b>11</b>
MAINTENANCE .....	11
TROUBLESHOOTING .....	11
DIMENSIONS	
SPECIFICATIONS	

## FEATURES

- The Smoke Resistant Box protects the projector from dust and cigarette smoke by adopting a highly efficient filter.
- Provide two powerful silent rotary fans, and cool down the Projector efficiently.
- It has been designed for easy mounting.




**PART NAMES**

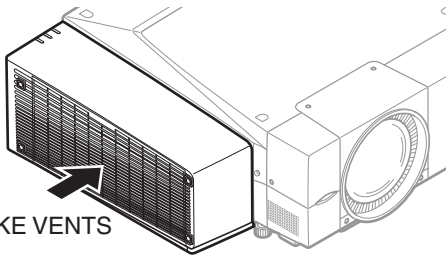


# INSTALLATION

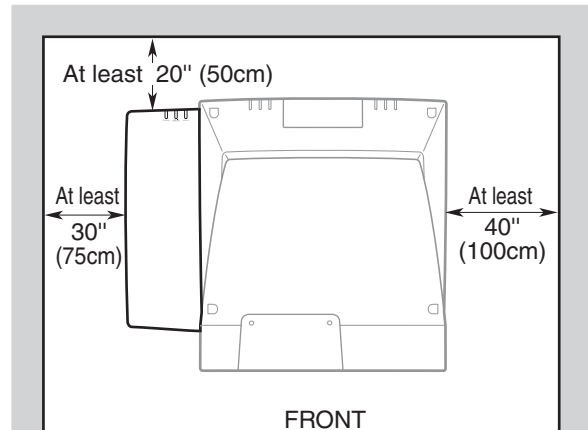
## PRECAUTION BEFORE INSTALLATION


Please ensure that there is sufficient clearance around the unit at the time of installation, as shown in the figure on the right.

 **WARNING: DO NOT COVER INTAKE VENTS.**  
If the Air Intake is covered, there will be insufficient cooling which may result in failure or fire.



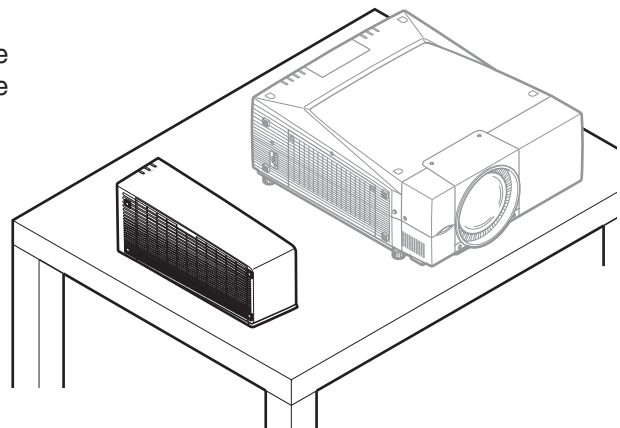
AIR INTAKE VENTS




 **CAUTION: UNPLUG THE PROJECTOR FROM THE AC OUTLET WHEN INSTALLING THE SMOKE RESISTANT BOX.**  
**ATTACHING THE SMOKE RESISTANT BOX WHILE THE PROJECTOR IS CONNECTED TO ELECTRICITY MAY DAMAGE THE BOX OR CAUSE IT TO MALFUNCTION.**

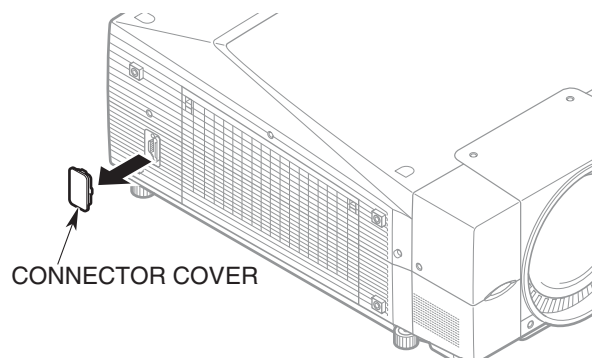
## PROCEDURE OF INSTALLATION

- 1 Take out the Smoke Resistant Box from the packaging and place it on a flat surface with the projector.



- 2 Take off the connector cover from the Projector.

 **RETAIN THE CONNECTOR COVER.**  
**WHEN THE SMOKE RESISTANT BOX IS NOT BEING USED, REATTACH THE CONNECTOR COVER TO THE PROJECTOR TO PROTECT THE CONNECTOR.**

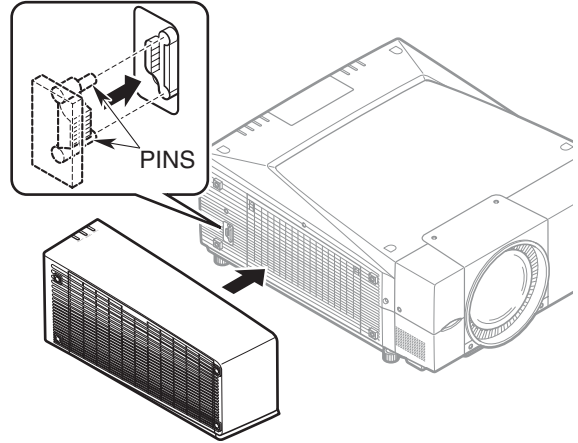


## INSTALLATION

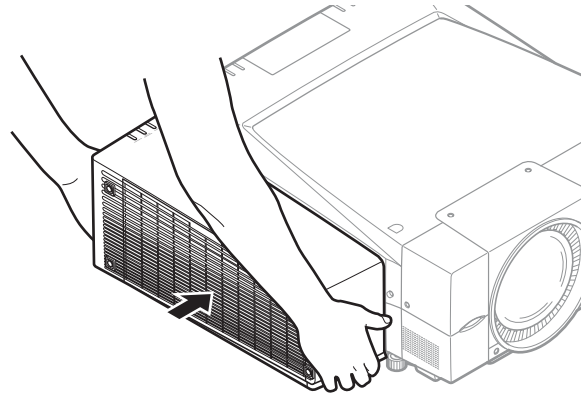
- 3** Align the connector of the Projector with the connector pins of the Smoke Resistant Box.



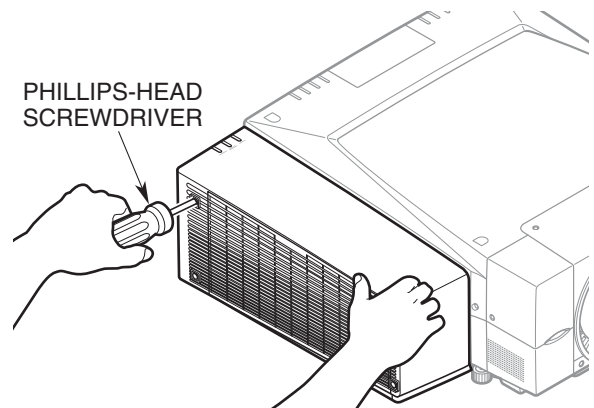
**CAUTION: TAKE CARE NOT TO TOUCH THE CONNECTOR OR APPLY SHOCK THAT MAY DAMAGE THE CONNECTOR.**



- 4** Hold the Smoke Resistant Box parallel to the Projector and push it slowly towards the Projector.

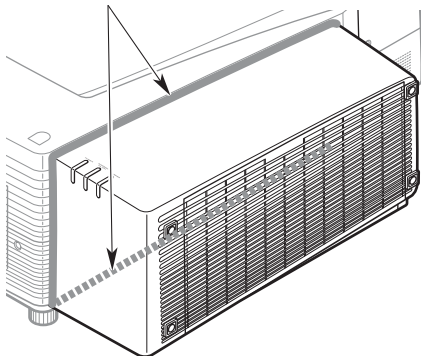


- 5** Hold the Smoke Resistant Box with one hand and use a Phillips-head screwdriver to tighten the four fixed screws to fix the box in place.

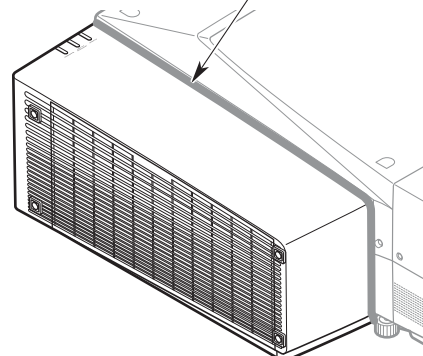


- 6** Check that the Smoke Resistant Box is fixed in place with the four screws and no wide gap exists between the projector body and the box.

THERE SHOULD BE NO WIDE GAP



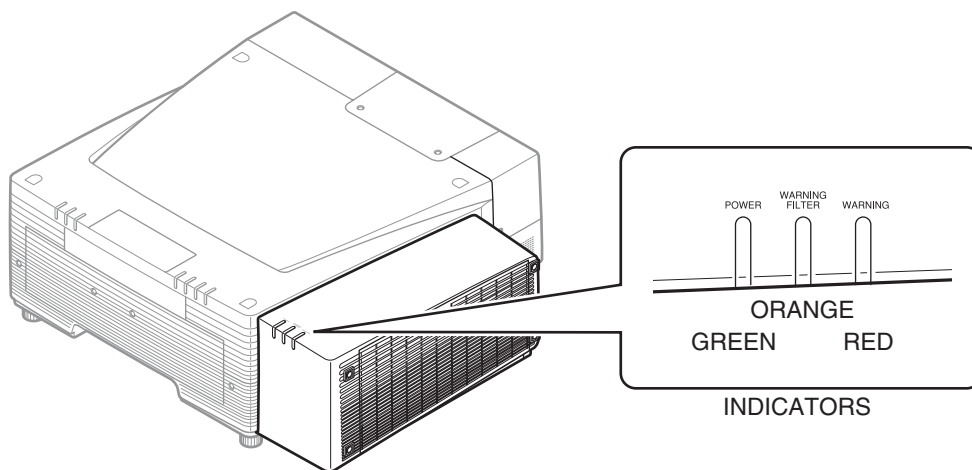
THERE SHOULD BE NO WIDE GAP



# OPERATION

When the Projector is turned on, the POWER indicator lights in green.

\* When the POWER indicator does not light and the WARNING FILTER indicator flashes, the filter is not attached to the Smoke Resistant Box. In this case, the READY indicator on the Projector does not light and the Projector can not be turned on.



## INDICATORS OPERATION

**WARNING FILTER. . . .** Normally this does not light. Should the filter become clogged with dust particles indicator flashes orange. When the filter needs to be replaced, indicator lights in orange. The filter should then be replaced immediately. When the filter is not attached, the indicator will flash.

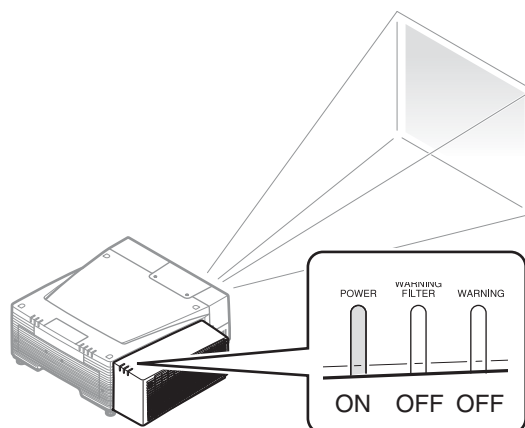
**WARNING . . . . .** Normally this does not light. When the box's fan is operating abnormally, indicator flashes red. When this occurs, turn off power immediately and request a maintenance check. Do not leave the Smoke Resistant Box operational while the indicator is flashing as it may become a fire and/or accident hazard.

## INITIAL SET-UP BEFORE USE

When the Smoke Resistant Box is used for the first time, the initial set-up should be performed in the following procedures. The Smoke Resistant Box cannot be operated or handled properly without this initial set-up.

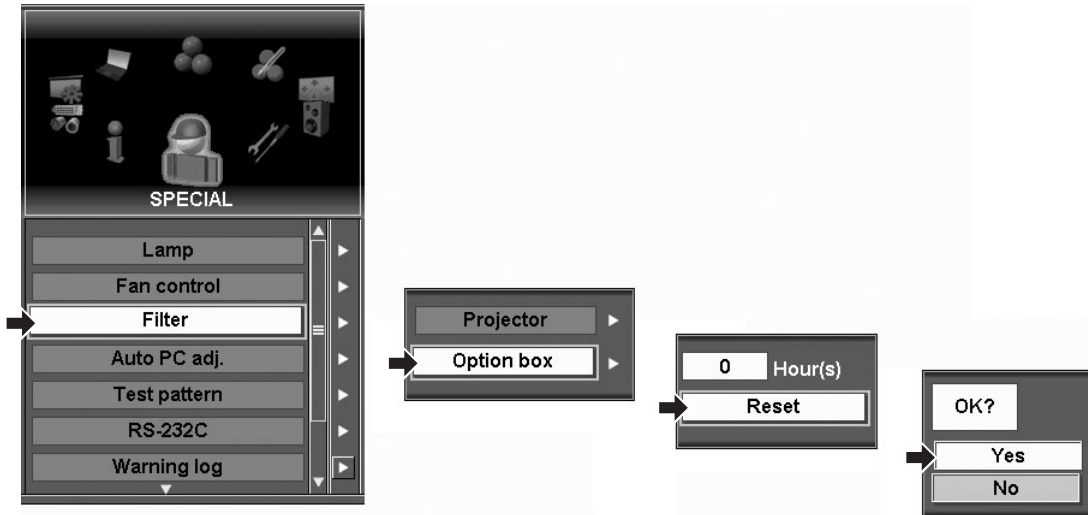
- 1** First, properly attach the Smoke Resistant Box to the Projector.
- 2** Turn on the Projector and display some images. Check that each indicator on the Smoke Resistant Box lights normally.

Go to next page



## OPERATION

- 3 Select [SPECIAL] in the Projector's menu. Then select [Filter].
- 4 Select [Option box] and then select [Reset] and then [ Yes].  
A message [Please wait---] will appear.  
When this message disappears initial set-up is complete. Close the menu.



## FILTER REPLACEMENT

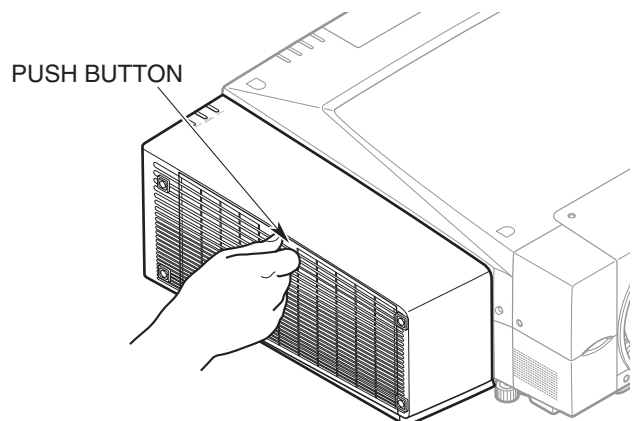
When replacing the filter, replace with a specified filter. A replacement filter can be ordered through your dealer. When ordering the filter, give the following information to the dealer.

- Replacement Filter type No. : POA-FIL-140
- Smoke Resistant Box type No. : POA-SR-140



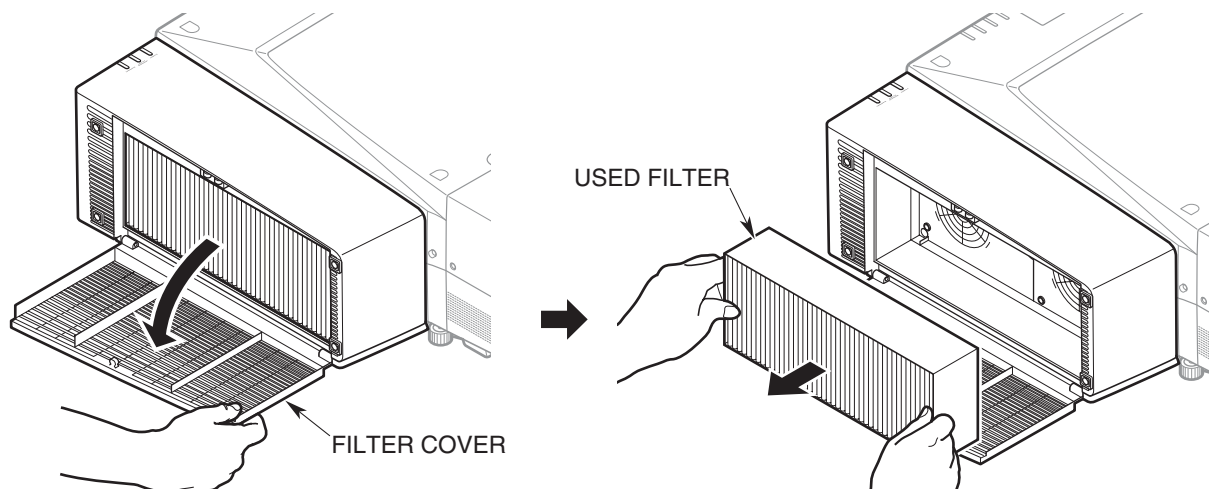
**CAUTION:WHEN REPLACING THE FILTER,TURN OFF THE PROJECTOR.**

- 1 Press the PUSH button on the filter cover.





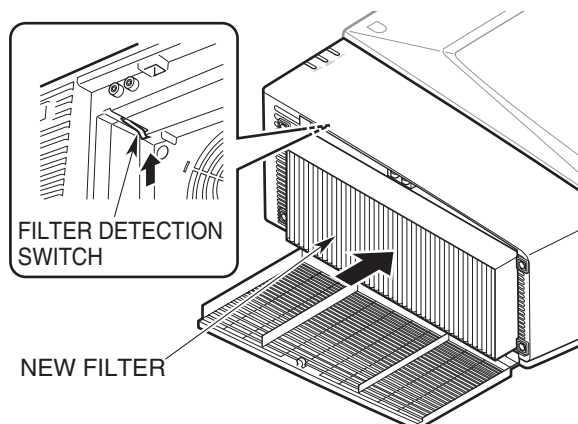
- 2 Open the filter cover and take out the used filter.



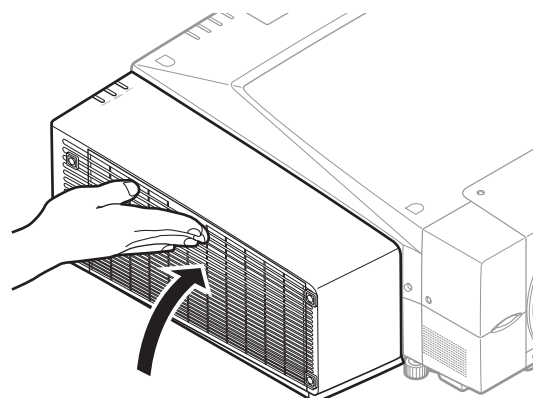
- 3 Install the new filter.

**CAUTION:USE ONLY REPLACEMENT FILTERS RECOMMENDED BY THE MANUFACTURER. THE USE OF OTHER FILTERS MAY CAUSE THE BOX TO MALFUNCTION OR ACCIDENT MAY RESULT.**

**CAUTION:TAKE CARE NOT TO DAMAGE THE FILTER DETECTION SWITCH LOCATED INSIDE THE BOX WHEN INSERTING THE FILTER.**



- 4 Check that the filter is not tilted or warped and then close the filter cover. This will lock it into place.

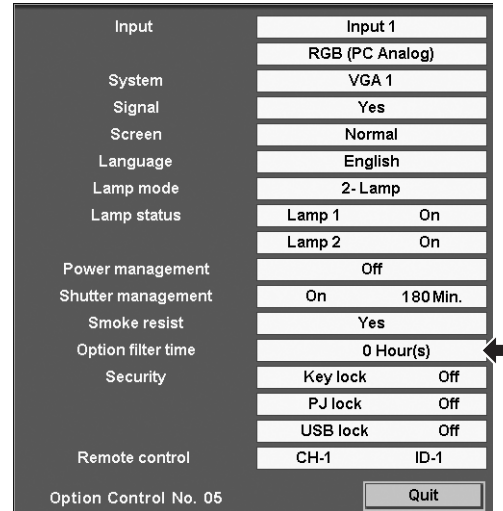


- 5 Reset the filter time.  
Refer to "FILTER TIME CHECK AND RESET"

# FILTER TIME CHECK AND RESET

## FILTER TIME CHECK

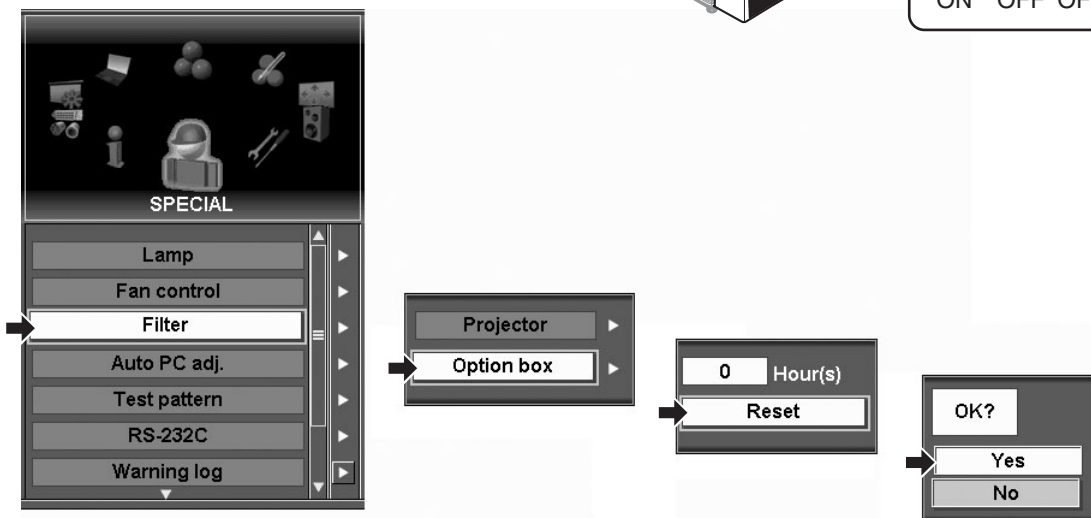
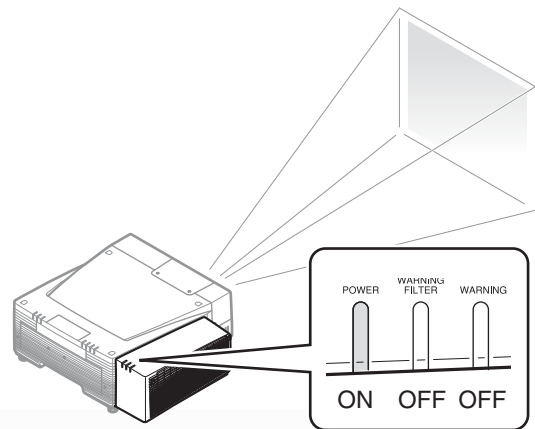
- The filter operation time can be checked in the projector menu.
- Open [INFORMATION] in the menu and check [Option filter time] for the hour counter.
- ※ "Option filter time" menu will not exist when Smoke Resistant Box is not attached on the projector.



## RESETTING THE FILTER TIME

Reset the filter time according to the following procedures:(Only reset the filter time when changing the filter. The Smoke Resistant Box cannot be operated properly if it is reset other than filter change.)

- 1 Check that the Smoke Resistant Box is properly attached to the projector.
- 2 Turn on the projector and display the screen. Check all indicators on the Smoke Resistant Box light normally.
- 3 Select [SPECIAL] in the projector's menu. Then select [Filter].
- 4 Select [Option box] and then select [Reset] and then [Yes].



- 5 A message [Please wait--] will appear. When it disappears Filter Time reset is completed. Close the menu.

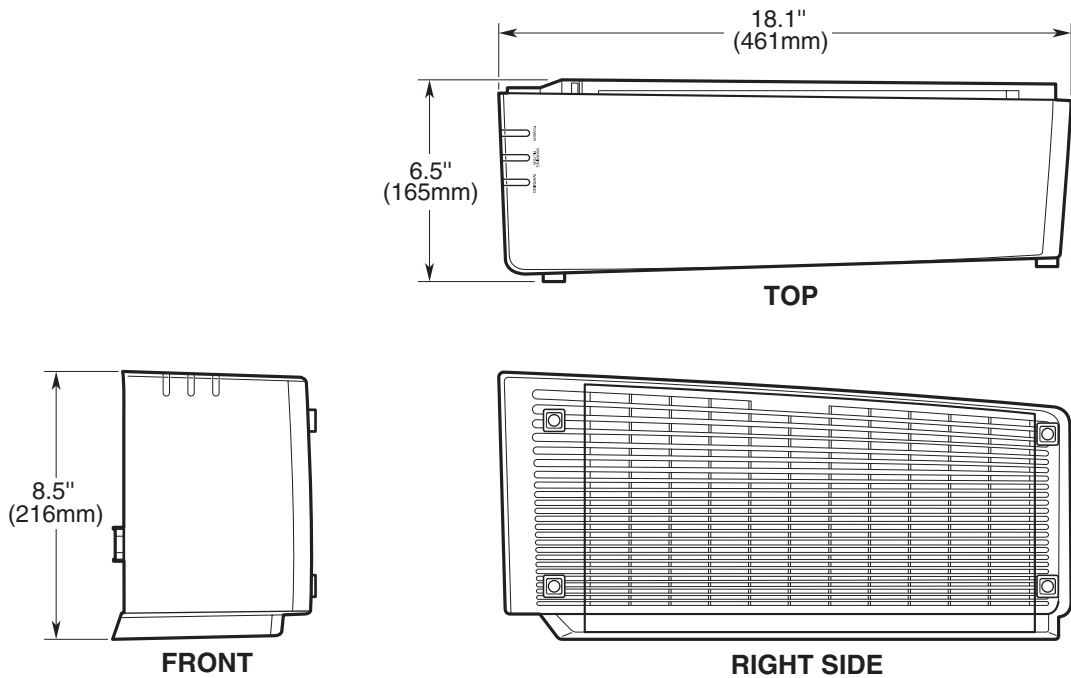
## MAINTENANCE

- **IF THE SMOKE RESISTANT BOX IS NOT USED LONG PERIOD OF THE TIME.**  
Remove the Smoke Resistant Box from the Projector and store in safe place.
- **CARE AND CLEANING OF THE CABINET.**  
Remove stains on the cabinet with a soft cloth. If the stain is particularly stubborn, use a cloth soaked in a heavily diluted mild detergent, and finish with a dry cloth.
- **CARE FOR THE CABINET.**  
Do not apply volatile solvents such as insecticide to the cabinet or bring the casing into contact with rubber, adhesive tape or vinyl products for a long time. This may result in degradation and paint scratches.
- **DO NOT USE BENZENE OR THINNER.**  
If benzene or thinner is used, cabinet may be damaged. When using a chemical cloth, please follow the instructions carefully.
- **CLEANING AIR INTAKE VENTS.**  
When using under dusty or smoky conditions, the performance may be impaired. Remove dust frequently using a vacuum cleaner, etc.

## TROUBLESHOOTING

PROBLEM	TRY THESE SOLUTIONS
NO POWER.	<ul style="list-style-type: none"> <li>• Check that the Projector is connected to a power source.</li> <li>• Check that the POWER indicator is illuminated green.</li> <li>• When the WARNING indicator flashes red, the built-in rotary fan has malfunctioned and halted operation. Please consult with your dealer agent.</li> <li>• Check if the orange WARNING FILTER indicator is flashing. The filter may have come loose.</li> </ul>
WARNING FILTER INDICATOR ILLUMINATES ORANGE.	<ul style="list-style-type: none"> <li>• When the WARNING FILTER indicator flashes or lights in orange, the filter should be replaced with a new filter immediately.</li> </ul>

## DIMENSIONS



## SPECIFICATIONS

### SMOKE RESISTANT BOX

ITEM	CONTENTS
TYPE	Projector smoke proof and dustproof box
AIR CAPACITY	Approximately 2.0m <sup>3</sup> /min
INDICATORS	POWER, WARNING FILTER, WARNING
OPERATING CONDITIONS	41°F to 95°F (5°C to 35°C) (indoors)
DIMENSIONS	6.5"x8.5"x18.1" (165mm x 216mm x 461mm)
NET WEIGHT	Approximately 7.5lbs (3.4Kg)

### ACCESSORIE

NAME	QUANTITY	CONTENTS
Owner's Manual	1	Smoke Resistant Box